

DDF

DDF050

4通道  
氣壓  
或  
真空  
旋轉  
接頭



#### Operating mode:

The compressed air is routed through channels inside the DDF. This prevents twisting of the pneumatic lines in endless rotary motions.

#### Advantages:

light and robust

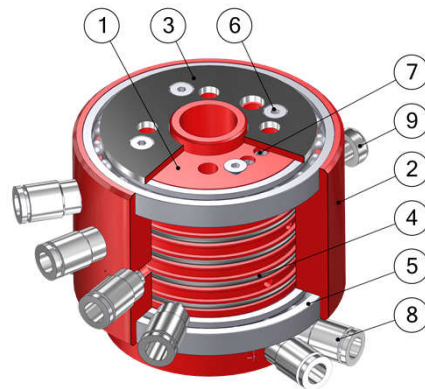
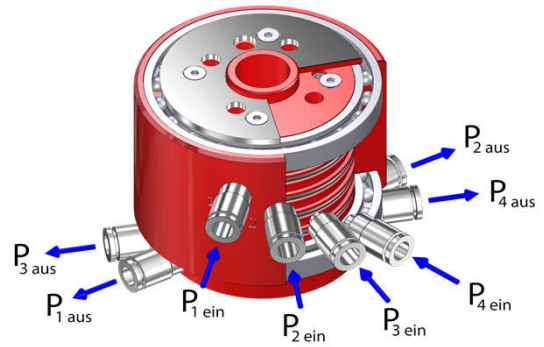
ISO-flange

no twisting of the air conduction

quick connection of pneumatic tubes

Interface according to DIN EN ISO 9409-1

Technical specifications	DDF050
Basic material	Al. anod., SS
Medium	Compressed air, filtered oiled und unoled
Operating pressure range	0 to 8 bar
Number of ducts	4
Tube external diameter	6 mm
Threaded connection comp. air	M5
Dead weight	690 g
Max. speed	60 / min
Initial torque	1 Nm
Ambient temperature	5 - 40 °C
Mounting flange	according to ISO9409-1



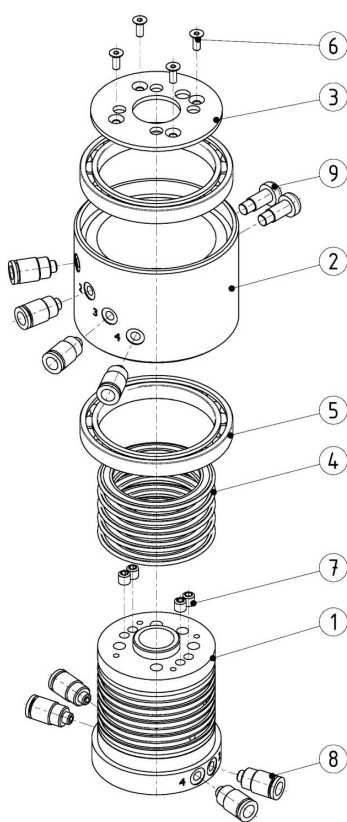
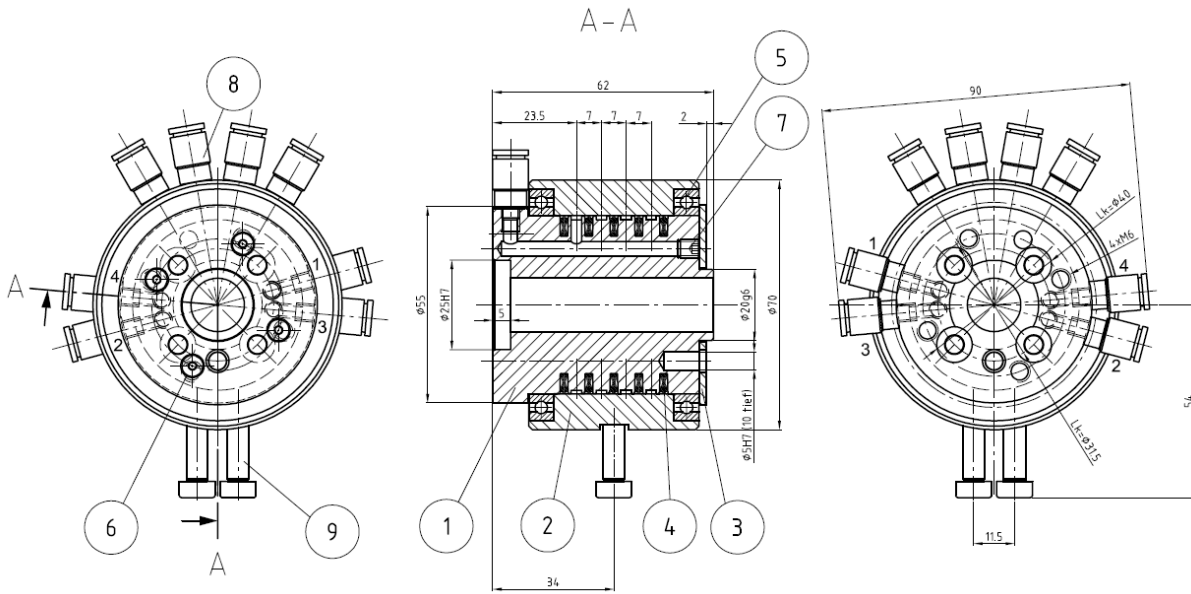
#### Multiport Swivel Ø50...

G-DDF050-2-4/NW4 with grooved ball bearing + universal seals 4 x air

#### Replacement gasket kit...

EG-DDF050-2-DS-4 for 4 x air DDF050 with grooved ball bearing

Pos.	Description
1	Flange
2	Ring
3	Disk
4	Piston seal
5	Grooved ball bearing
6	Counter-sunk screw
7	Setscrew
8	Straight connection
9	Fitting Screw



Pos.	Description	Stock-No.	Quantity
1	Flange	G-DDF050-5-1.1	1
2	Ring	G-DDF050-5-2.1	1
3	Disk	G-DDF050-2-3.1	1
4	Piston seal	KDN 50x37,9x2,1	5
5	Deep groove ball bearing	61810-2RS1	2
6	Counter-sunk screw	DIN 7991 M3x8 galvanized	4
7	Setscrew	DIN 913 M5x5 galvanized	4
8	Straight connection assembly	KJS06 M5	8
9	Fitting screw	ISO 7379 M5x10	2

#### 8.1 Spare and wear parts, depending on size

Pos.	Description	Stock-No.	Quantity
4	Piston seal	KDN 50x37,9x2,1	5

#### DDF 氣壓4通道旋轉接頭 Multiport Swivel

- 規格：1種
- 用於2至4個壓縮空氣或真空管道可旋轉通道
- 由高強度鋁製成，重量輕，陽極氧化
- 防止空氣管線扭曲
- 機器人軸無休止的旋轉運動
- 2D&3D提供